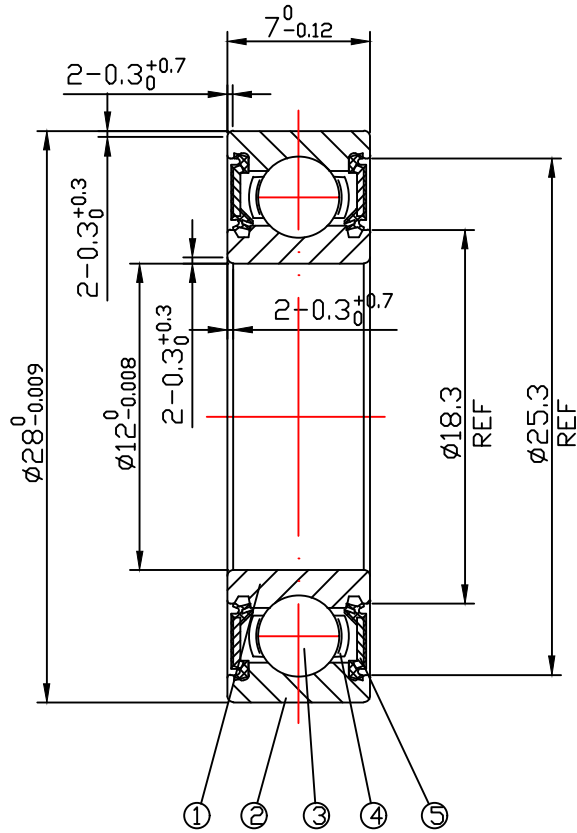


DRAWING

CUSTOMER :

accept stamp



issue stamp

BRAND: NBK

ALL DIMENSIONS: mm

NOTIONS:

MARKER	PLACES	BEFORE	REVISER	REVISION DATE

NO.	PARTS	MATERIAL	QUANTITY	REMARKS
1	INNER RING	GCr15	1	
2	OUTER RING	GCr15	1	
3	BALLS	GCr15	10- ϕ 3.969	
4	RETAINER	SPCC	1	
5	SHIELD	SPTe	2	

LOAD RATING STATIC: COr: 2260 N

LOAD RATING DYNAMIC: Cr: 4320 N

RADIAL PLAY:
C0: 0.003-0.018

TOLERANCES: ABEC-1

CUSTOMER SIZE:

SIZE:
16001K4ZZ

DRAWING NO. : QAJ/TR24205

庄宏亿
2024-6-26
陈晶晶

庄宏亿
2024-6-26
陈丹央

庄宏亿
2024-6-26
周宝君

draw

check

approved

DATE: Jun.26,2024

NBK NINGBO CHUANG HON YI BEARING CO.,LTD.