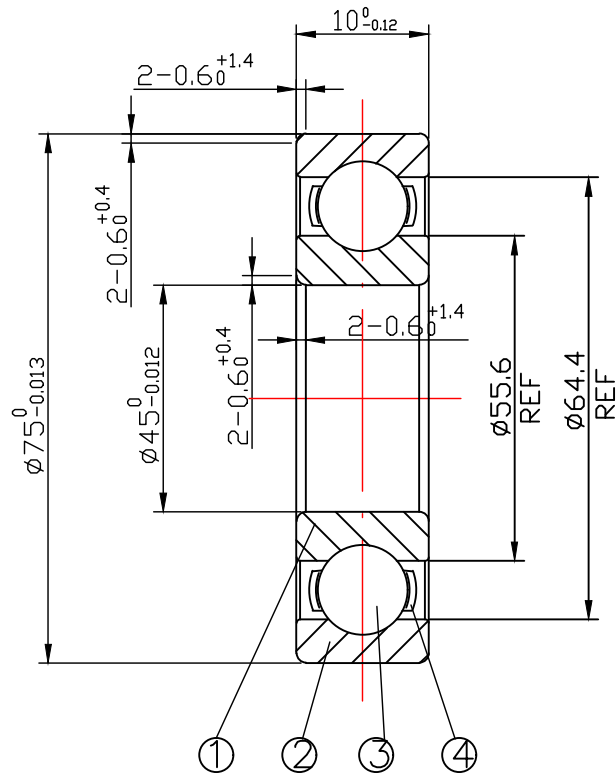


DRAWING

CUSTOMER :

accept stamp



issue stamp

BRAND: NBK

ALL DIMENSIONS: mm

NOTIONS:

MARKER	PLACES	BEFORE	REVISER	REVISION DATE

NO.	PARTS	MATERIAL	QUANTITY	REMARKS
1	INNER RING	GCr15	1	
2	OUTER RING	GCr15	1	
3	BALLS	GCr15	15- $\phi 6.747$	
4	RETAINER	SPCC	1	

LOAD RATING STATIC: COr: 10900N

LOAD RATING DYNAMIC: Cr: 13900 N

RADIAL PLAY:
C0: 0.006-0.023

TOLERANCES: ABEC-1

CUSTOMER SIZE:

SIZE:
16009

DRAWING NO. : QAJ/TR24017

庄宏亿
2024-02-29
陈晶晶

庄宏亿
2024-02-29
陈丹央

庄宏亿
2024-02-29
周宝君

draw

check

approved

DATE: Sun.29,2024

NBK NINGBO CHUANG HON YI BEARING CO.,LTD.