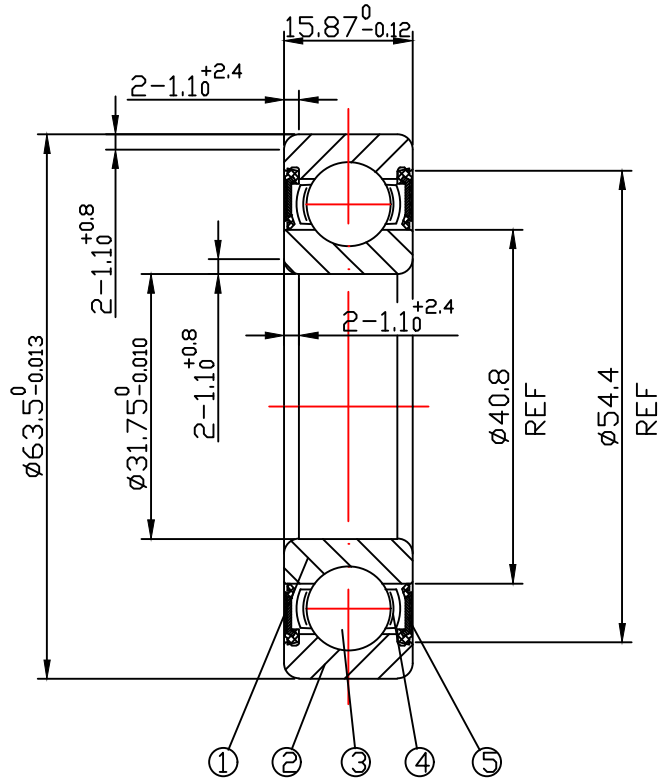


DRAWING

CUSTOMER :

accept stamp






issue stamp

BRAND: NBK

ALL DIMENSIONS: mm

NOTIONS:

MARKER	PLACES	BEFORE	REVISER	REVISION DATE

NO.	PARTS	MATERIAL	QUANTITY	REMARKS	LOAD RATING STATIC: COr: 11430 N	
1	INNER RING	GCr15	1		LOAD RATING DYNAMIC: Cr: 19470 N	
2	OUTER RING	GCr15	1		RADIAL PLAY: C0: 0.005-0.020	
3	BALLS	GCr15	9- ϕ 9.525		TOLERANCES: ABEC-1	
4	RETAINER	SPCC	1		CUSTOMER SIZE:	
5	SEAL	NBR	2		SIZE: 1654-2RS	
  					DRAWING NO. : QAJ/TR24128	
draw	check	approved	DATE: May.18,2024			NBK NINGBO CHUANG HON YI BEARING CO.,LTD.