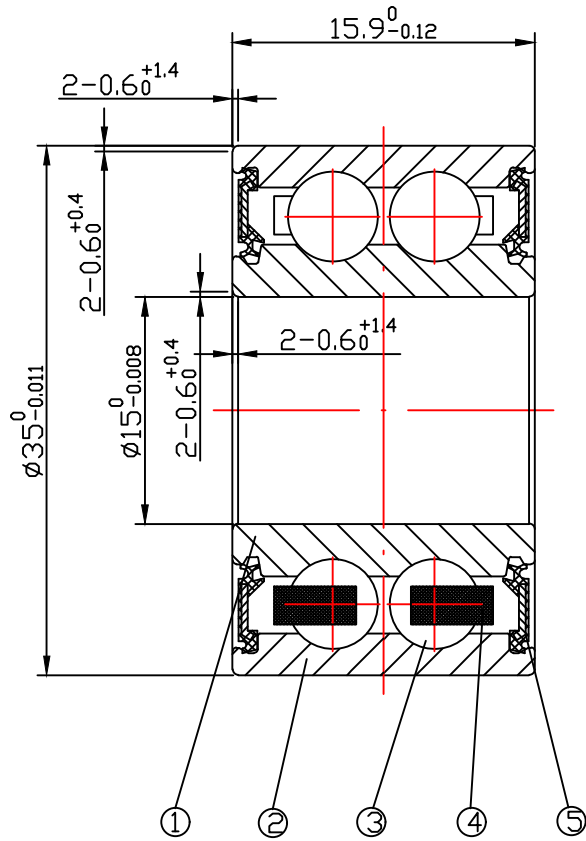


DRAWING

CUSTOMER :

accept stamp



issue stamp

BRAND: NBK

ALL DIMENSIONS: mm

| | | | | | |
|--------|--------|--------|---------|---------------|--|
| | | | | | |
| | | | | | |
| | | | | | |
| MARKER | PLACES | BEFORE | REVISER | REVISION DATE | |

NOTIONS:

| NO. | PARTS | MATERIAL | QUANTITY | REMARKS |
|-----|------------|----------|-------------------|---------|
| 1 | INNER RING | GCr15 | 1 | |
| 2 | OUTER RING | GCr15 | 1 | |
| 3 | BALLS | GCr15 | 2*8- ϕ 5.953 | |
| 4 | RETAINER | NYLON | 1 | |
| 5 | SEAL | NBR | 2 | |

LOAD RATING STATIC: COr: 7480 N

LOAD RATING DYNAMIC: Cr: 11770 N

RADIAL PLAY: 0.003-0.018

TOLERANCES: ABEC-1

CUSTOMER SIZE:

SIZE: 5202-2RS

庄宏亿
2024-6-27
陈晶晶

庄宏亿
2024-6-27
陈丹央

庄宏亿
2024-6-27
周宝君

DRAWING NO. : QAJ/TR24219

draw

check

approved

DATE: Jun.27,2025

NBK NINGBO CHUANG HON YI BEARING CO.,LTD.