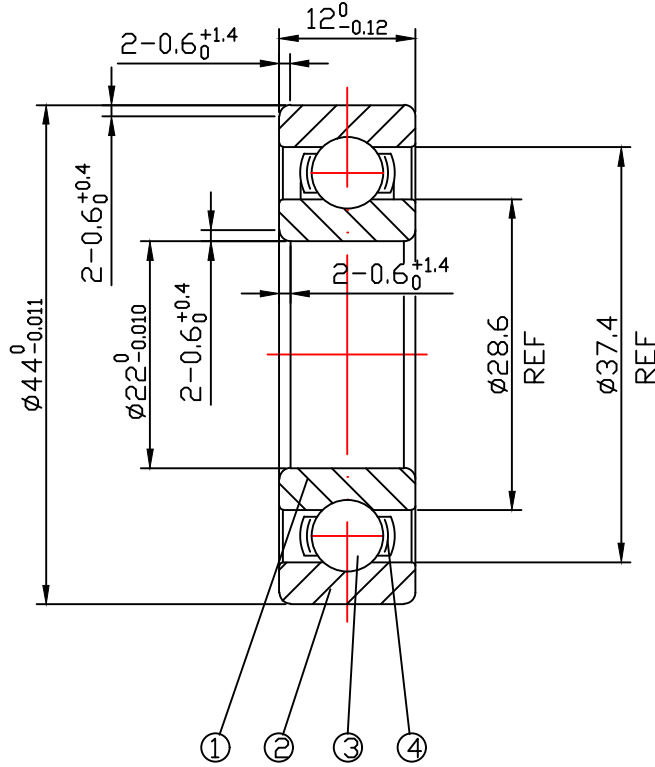


DRAWING

CUSTOMER :

accept stamp



issue stamp

BRAND: NBK

ALL DIMENSIONS: mm

NOTIONS:

MARKER	PLACES	BEFORE	REVISER	REVISION DATE

NO.	PARTS	MATERIAL	QUANTITY	REMARKS
1	INNER RING	GCr15	1	
2	OUTER RING	GCr15	1	
3	BALLS	GCr15	9-ø6.747	
4	RETAINER	SPCC	1	

LOAD RATING STATIC: COr: 5730 N

LOAD RATING DYNAMIC: Cr: 10470 N

RADIAL PLAY: C0: 0.005-0.020

TOLERANCES: ABEC-1

CUSTOMER SIZE:

SIZE: 60/22

DRAWING NO. : QAJ/TR24194

庄宏亿
2024-4-24
陈晶晶

庄宏亿
2024-4-24
陈丹央

庄宏亿
2024-4-24
周宝君

draw

check

approved

DATE: Jun.21,2024

NBK NINGBO CHUANG HON YI BEARING CO.,LTD.