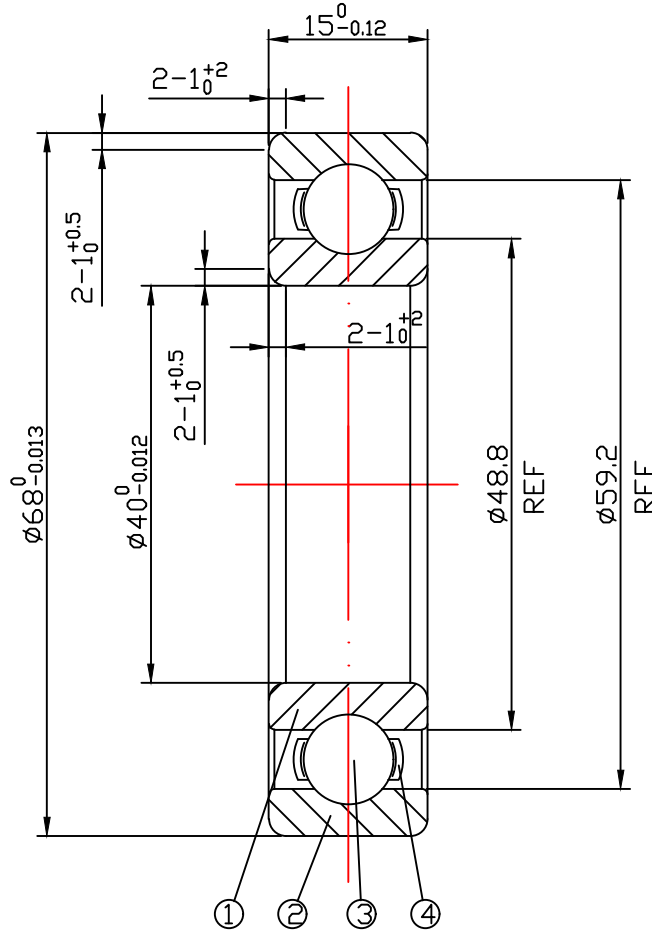


DRAWING

CUSTOMER :

accept stamp



issue stamp

BRAND: NBK

ALL DIMENSIONS: mm

MARKER	PLACES	BEFORE	REVISER	REVISION DATE

NOTIONS:

NO.	PARTS	MATERIAL	QUANTITY	REMARKS
1	INNER RING	GCr15	1	
2	OUTER RING	GCr15	1	
3	BALLS	GCr15	12- $\phi 7.938$	
4	RETAINER	SPCC	1	

LOAD RATING STATIC: COr: 11490 N

LOAD RATING DYNAMIC: Cr: 16820 N

RADIAL PLAY: C0: 0.006-0.020

TOLERANCES: ABEC-1

CUSTOMER SIZE:

SIZE: 6008



DRAWING NO. : QAJ/TR24248

draw

check

approved

DATE:

Jun.29,2024

**NBK** NINGBO CHUANG HON YI BEARING CO.,LTD.