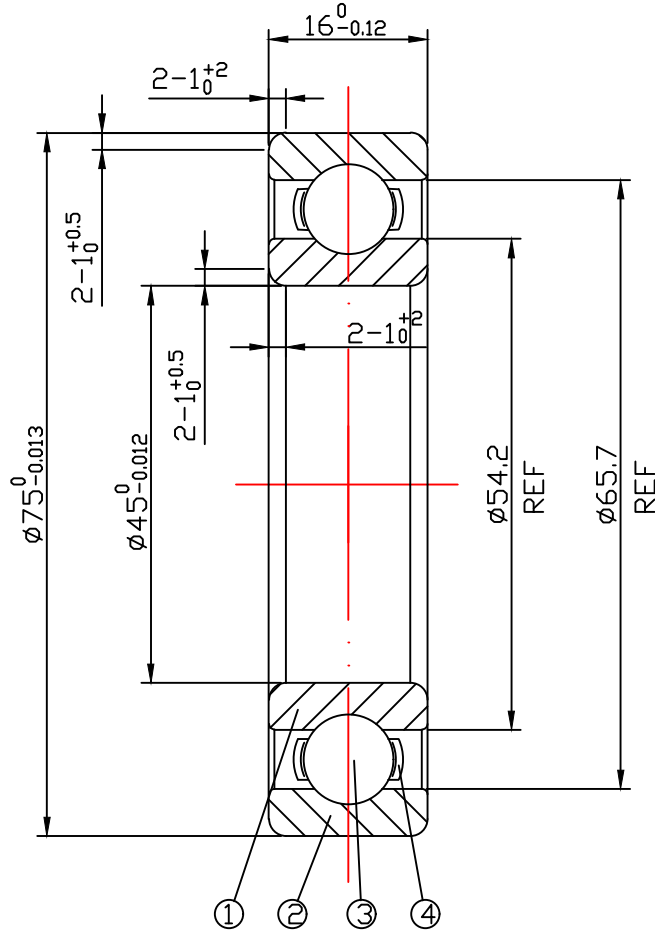


DRAWING

CUSTOMER :

accept stamp



issue stamp

BRAND: NBK

ALL DIMENSIONS: mm

NOTIONS:

MARKER	PLACES	BEFORE	REVISER	REVISION DATE

NO.	PARTS	MATERIAL	QUANTITY	REMARKS
1	INNER RING	GCr15	1	
2	OUTER RING	GCr15	1	
3	BALLS	GCr15	12-ø8.731	
4	RETAINER	SPCC	1	

LOAD RATING STATIC: COr: 13900 N

LOAD RATING DYNAMIC: Cr: 19970 N

RADIAL PLAY: C0: 0.006-0.023

TOLERANCES: ABEC-1

CUSTOMER SIZE:

SIZE: 6009

庄宏亿
2024-6-29
陈晶晶

庄宏亿
2024-6-29
陈丹央

庄宏亿
2024-6-29
周宝君

DRAWING NO. : QAJ/TR24249

draw

check

approved

DATE: Jun.29,2024

NBK NINGBO CHUANG HON YI BEARING CO.,LTD.