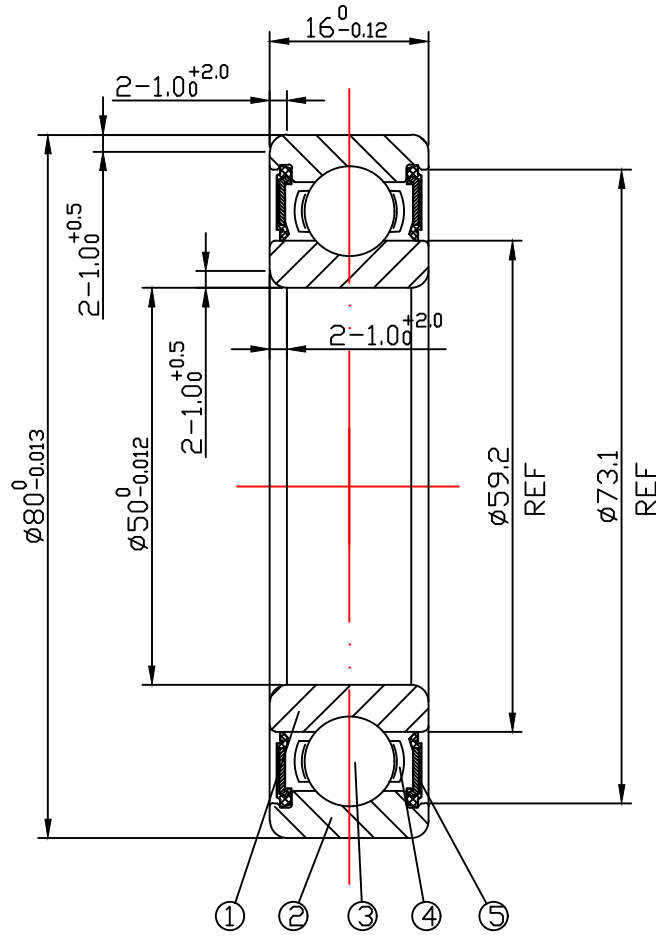


DRAWING

CUSTOMER :

accept stamp



issue stamp

BRAND: NBK

ALL DIMENSIONS: mm

NOTIONS:

MARKER	PLACES	BEFORE	REVISER	REVISION DATE

NO.	PARTS	MATERIAL	QUANTITY	REMARKS
1	INNER RING	GCr15	1	
2	OUTER RING	GCr15	1	
3	BALLS	GCr15	13- $\phi 8.731$	
4	RETAINER	SPCC	1	
5	SHIELD	SPTe	2	

LOAD RATING STATIC: COr: 15460 N

LOAD RATING DYNAMIC: Cr: 20670 N

RADIAL PLAY:  
C0: 0.006-0.023

TOLERANCES: ABEC-1

CUSTOMER SIZE:

SIZE:  
6010-2RS

DRAWING NO. : QAJ/TR24050

庄宏亿  
2024-4-26  
陈晶晶

庄宏亿  
2024-4-26  
陈丹央

庄宏亿  
2024-4-26  
周宝君

draw

check

approved

DATE: Apr.26,2024

NBK NINGBO CHUANG HON YI BEARING CO.,LTD.