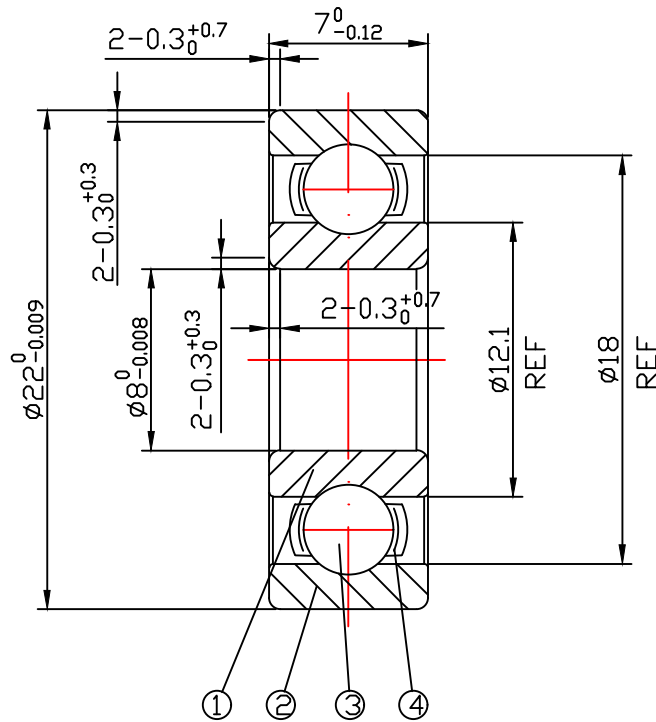


DRAWING

CUSTOMER :

accept stamp



issue stamp

BRAND: NBK

ALL DIMENSIONS: mm

NOTIONS:

MARKER	PLACES	BEFORE	REVISER	REVISION DATE

NO.	PARTS	MATERIAL	QUANTITY	REMARKS
1	INNER RING	GCr15	1	
2	OUTER RING	GCr15	1	
3	BALLS	GCr15	7- $\phi 3.969$	
4	RETAINER	SPCC	1	

LOAD RATING STATIC: COr: 1370 N

LOAD RATING DYNAMIC: Cr: 3310 N

RADIAL PLAY:  
C0: 0.002-0.013

TOLERANCES: ABEC-1

CUSTOMER SIZE:

SIZE:  
608

DRAWING NO. : QAJ/TR24239

庄宏亿  
2024-6-28  
陈晶晶

庄宏亿  
2024-6-28  
陈丹央

庄宏亿  
2024-6-28  
周宝君

draw

check

approved

DATE:

Jun.28,2024

NBK NINGBO CHUANG HON YI BEARING CO.,LTD.