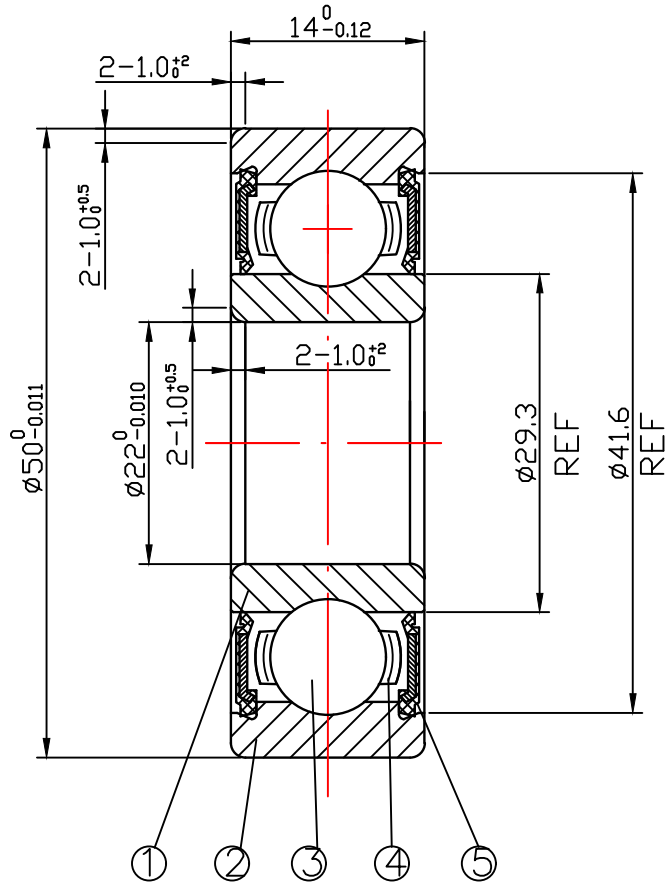


DRAWING

CUSTOMER :

accept stamp



issue stamp

BRAND: NBK

ALL DIMENSIONS: mm

NOTIONS:

MARKER	PLACES	BEFORE	REVISER	REVISION DATE

NO.	PARTS	MATERIAL	QUANTITY	REMARKS
1	INNER RING	GCr15	1	
2	OUTER RING	GCr15	1	
3	BALLS	GCr15	8- $\phi 7.938$	
4	RETAINER	SPCC	1	
5	SEAL	NBR	2	

LOAD RATING STATIC: COr: 6650N

LOAD RATING DYNAMIC: Cr: 12830N

RADIAL PLAY:

C0: 0.005-0.020

TOLERANCES: ABEC-1

CUSTOMER SIZE:

SIZE:

62/22-2RS

DRAWING NO. : QAJ/TR24051

庄宏亿  
2024-4-26  
陈晶晶

庄宏亿  
2024-4-26  
陈丹央

庄宏亿  
2024-4-26  
周宝君

draw

check

approved

DATE: Apr.26,2024

NBK NINGBO CHUANG HON YI BEARING CO.,LTD.