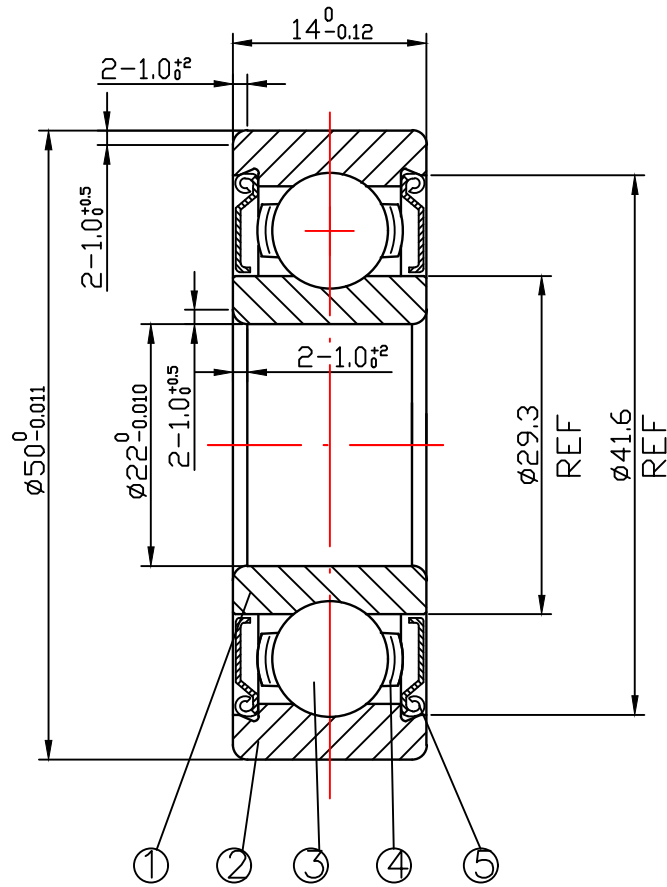


DRAWING

CUSTOMER :

accept stamp



issue stamp

BRAND: NBK

ALL DIMENSIONS: mm

NOTIONS:

MARKER	PLACES	BEFORE	REVISER	REVISION DATE

NO.	PARTS	MATERIAL	QUANTITY	REMARKS
1	INNER RING	GCr15	1	
2	OUTER RING	GCr15	1	
3	BALLS	GCr15	8- $\phi$ 7.938	
4	RETAINER	SPCC	1	
5	SHIELD	SPTe	2	

LOAD RATING STATIC: COr: 6650N

LOAD RATING DYNAMIC: Cr: 12830N

RADIAL PLAY:

C0: 0.005-0.020

TOLERANCES: ABEC-1

CUSTOMER SIZE:

SIZE:

62/22ZZ

DRAWING NO. : QAJ/TR23226

庄宏亿  
2023-7-3  
陈晶晶

庄宏亿  
2023-7-3  
陈丹央

庄宏亿  
2023-7-3  
周宝君

draw

check

approved

DATE:

Jul.3,2023

NBK NINGBO CHUANG HON YI BEARING CO.,LTD.