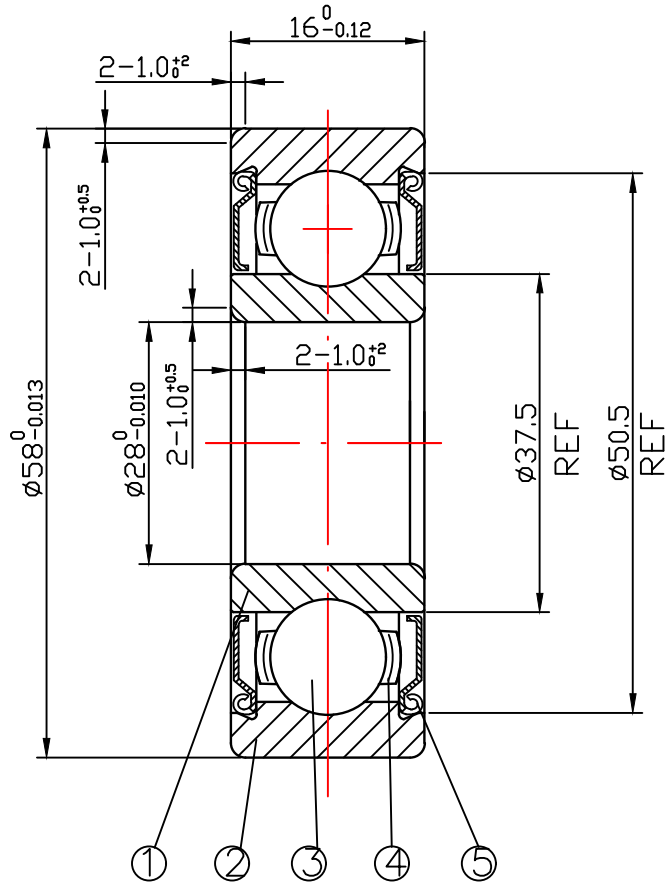


DRAWING

CUSTOMER :

accept stamp



issue stamp

BRAND: NBK

ALL DIMENSIONS: mm

NOTIONS:

MARKER	PLACES	BEFORE	REVISER	REVISION DATE

NO.	PARTS	MATERIAL	QUANTITY	REMARKS	LOAD RATING STATIC: COr: 9600N
1	INNER RING	GCr15	1		LOAD RATING DYNAMIC: Cr: 16650N
2	OUTER RING	GCr15	1		RADIAL PLAY: C0: 0.005-0.020
3	BALLS	GCr15	9- ϕ 8.731		TOLERANCES: ABEC-1
4	RETAINER	SPCC	1		CUSTOMER SIZE:
5	SHIELD	SPTe	2		SIZE: 62/28ZZ
					DRAWING NO. : QAJ/TR23230
					NBK NINGBO CHUANG HON YI BEARING CO.,LTD.

庄宏亿
2023-7-3
陈晶晶

庄宏亿
2023-7-3
陈丹央

庄宏亿
2023-7-3
周宝君

draw

check

approved

DATE:

Jul.3,2023