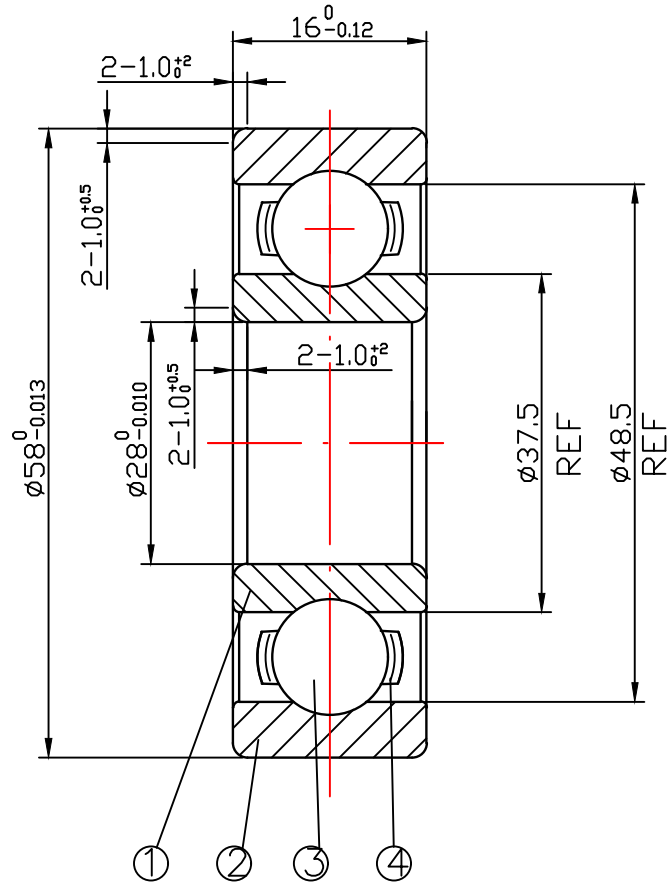


DRAWING

CUSTOMER :

accept stamp



issue stamp

BRAND: NBK

ALL DIMENSIONS: mm

NOTIONS:

MARKER	PLACES	BEFORE	REVISER	REVISION DATE

NO.	PARTS	MATERIAL	QUANTITY	REMARKS
1	INNER RING	GCr15	1	
2	OUTER RING	GCr15	1	
3	BALLS	GCr15	9- $\phi 8.731$	
4	RETAINER	SPCC	1	

LOAD RATING STATIC: COr: 9600N

LOAD RATING DYNAMIC: Cr: 16650N

RADIAL PLAY:

C0: 0.005-0.020

TOLERANCES: ABEC-1

CUSTOMER SIZE:

SIZE:

62/28

DRAWING NO. : QAJ/TR24238

庄宏亿  
2024-7-1  
陈晶晶庄宏亿  
2024-7-1  
陈丹央庄宏亿  
2024-7-1  
周宝君

draw

check

approved

DATE:

Jul.1,2024

NBK NINGBO CHUANG HON YI BEARING CO.,LTD.