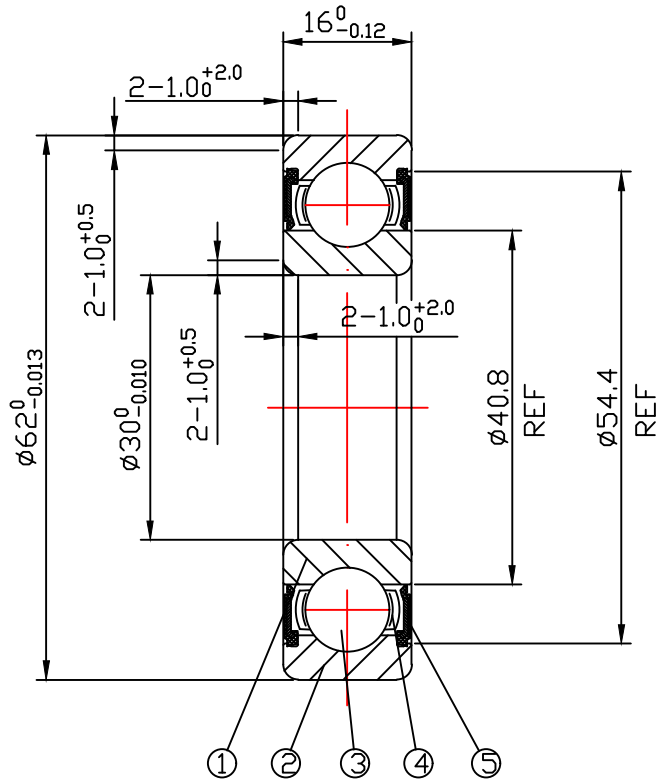


DRAWING

CUSTOMER :

accept stamp



issue stamp

BRAND: NBK

ALL DIMENSIONS: mm

NOTIONS:

MARKER	PLACES	BEFORE	REVISER	REVISION DATE

NO.	PARTS	MATERIAL	QUANTITY	REMARKS
1	INNER RING	GCr15	1	
2	OUTER RING	GCr15	1	
3	BALLS	GCr15	9-ø9.525	
4	RETAINER	SPCC	1	
5	SEAL	NBR	2	

LOAD RATING STATIC: COr: 11430 N

LOAD RATING DYNAMIC: Cr: 19470 N

RADIAL PLAY: C0: 0.005-0.020

TOLERANCES: ABEC-1

CUSTOMER SIZE:

SIZE: 6206-2RS

庄宏亿
2024-4-30
陈晶晶

庄宏亿
2024-4-30
陈丹央

庄宏亿
2024-4-30
周宝君

DRAWING NO. : QAJ/TR24071

draw

check

approved

DATE:

Apr.30,2024

NBK NINGBO CHUANG HON YI BEARING CO.,LTD.