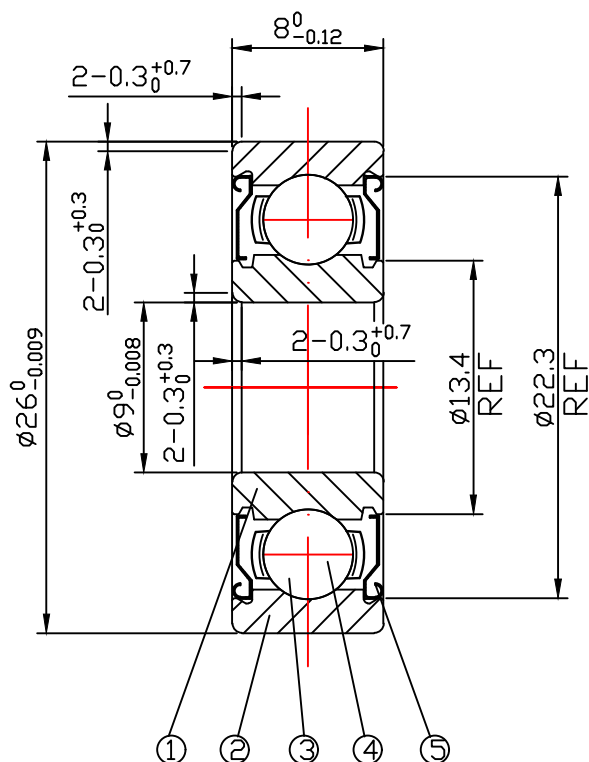


DRAWING

CUSTOMER :

accept stamp



issue stamp

BRAND: NBK




ALL DIMENSIONS: mm

MARKER	PLACES	BEFORE	REVISER	REVISION DATE
--------	--------	--------	---------	---------------

NOTIONS:

NO.	PARTS	MATERIAL	QUANTITY	REMARKS
1	INNER RING	GCr15	1	
2	OUTER RING	GCr15	1	
3	BALLS	GCr15	7- $\varnothing 4.763$	
4	RETAINER	SPCC	1	
5	SHIELD	SPTE	2	

LOAD RATING STATIC:	COr: 1950 N
LOAD RATING DYNAMIC:	Cr: 4550 N
RADIAL PLAY:	C0: 0.002-0.013
TOLERANCES:	ABEC-1
CUSTOMER SIZE:	
SIZE:	629ZZ

		
---	---	---

DRAWING NO. : QAJ/TR23182

draw	check	approved
DATE: Nov.13,2023	NBK NINGBO CHUANG HON YI BEARING CO.,LTD.	