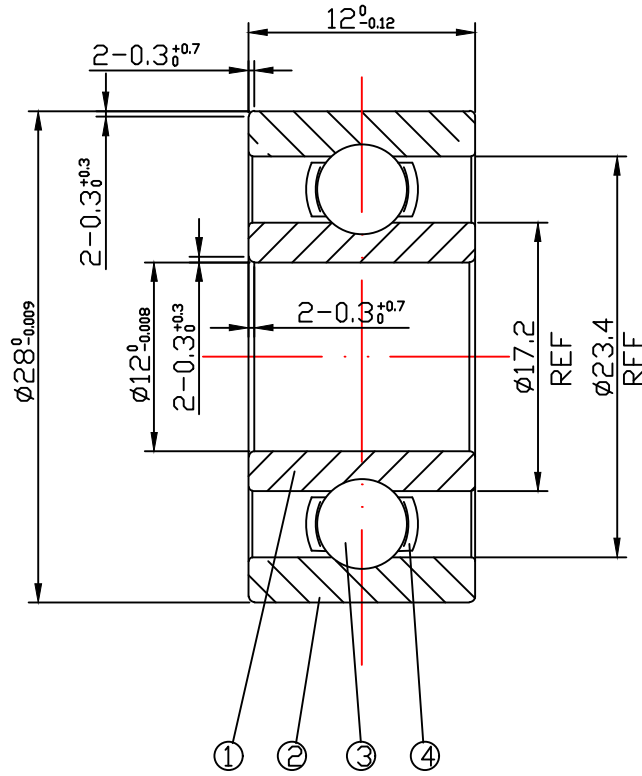


DRAWING

CUSTOMER :

accept stamp



issue stamp

BRAND: NBK

ALL DIMENSIONS: mm

|        |        |        |         |               |
|--------|--------|--------|---------|---------------|
|        |        |        |         |               |
|        |        |        |         |               |
|        |        |        |         |               |
| MARKER | PLACES | BEFORE | REVISER | REVISION DATE |

NOTIONS:

| NO. | PARTS      | MATERIAL | QUANTITY        | REMARKS |
|-----|------------|----------|-----------------|---------|
| 1   | INNER RING | GCr15    | 1               |         |
| 2   | OUTER RING | GCr15    | 1               |         |
| 3   | BALLS      | GCr15    | 8- $\phi$ 4.763 |         |
| 4   | RETAINER   | SPCC     | 1               |         |

LOAD RATING STATIC: COr: 2390 N

LOAD RATING DYNAMIC: Cr: 5120 N

RADIAL PLAY: C0: 0.003-0.018

TOLERANCES: ABEC-1

CUSTOMER SIZE:

SIZE: 63001

庄宏亿  
2024-7-10  
陈晶晶

庄宏亿  
2024-7-10  
陈丹央

庄宏亿  
2024-7-10  
周宝君

DRAWING NO. : QAJ/TR24399

draw

check

approved

DATE:

Jul.10,2024

**NBK** NINGBO CHUANG HON YI BEARING CO.,LTD.