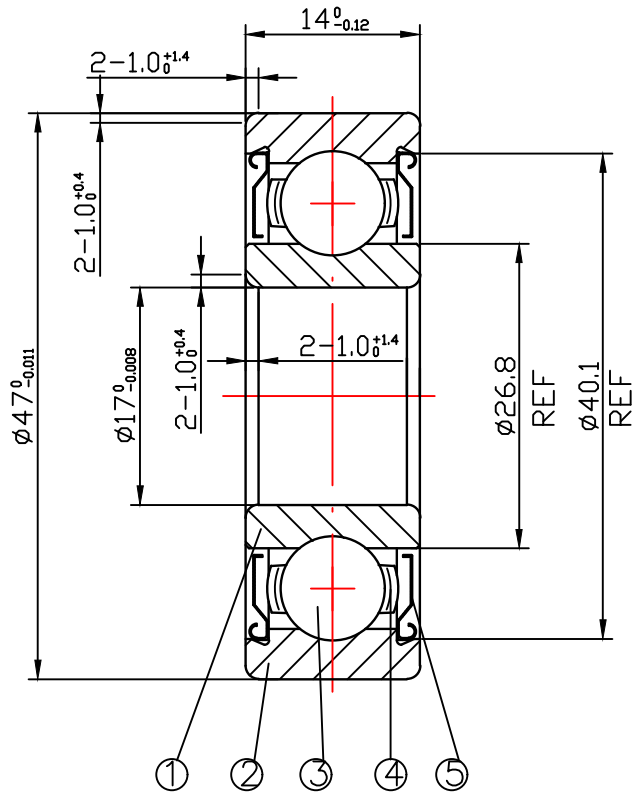


DRAWING

CUSTOMER :

accept stamp



issue stamp

BRAND: NBK

ALL DIMENSIONS: mm

NOTIONS:

MARKER	PLACES	BEFORE	REVISER	REVISION DATE

NO.	PARTS	MATERIAL	QUANTITY	REMARKS	LOAD RATING STATIC: COr: 6560 N
1	INNER RING	GCr15	1		LOAD RATING DYNAMIC: Cr: 13560 N
2	OUTER RING	GCr15	1		RADIAL PLAY: C0: 0.003-0.018
3	BALLS	GCr15	7-Ø8.731		TOLERANCES: ABEC-1
4	RETAINER	SPCC	1		CUSTOMER SIZE:
5	SHIELD	SPTe	2		SIZE: 6303ZZ
					DRAWING NO. : QAJ/TR23204
					NBK NINGBO CHUANG HON YI BEARING CO.,LTD.

庄宏亿
2023-11-13
陈晶晶

庄宏亿
2023-11-13
陈丹央

庄宏亿
2023-11-13
周宝君

draw

check

approved

DATE: Nov.13,2023