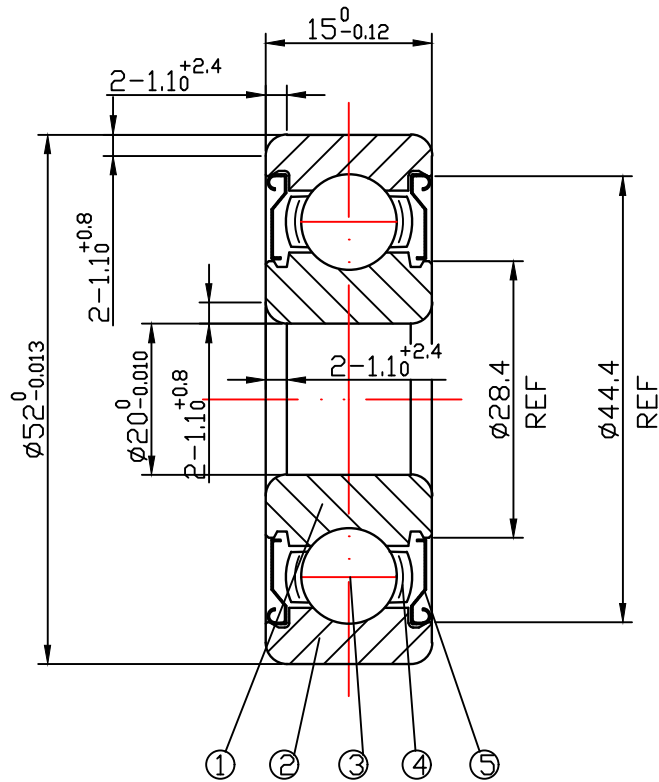


DRAWING

CUSTOMER :

accept stamp



issue stamp

BRAND: NBK

ALL DIMENSIONS: mm

NOTIONS:

| MARKER | PLACES | BEFORE | REVISER | REVISION DATE |
|--------|--------|--------|---------|---------------|
|        |        |        |         |               |
|        |        |        |         |               |
|        |        |        |         |               |

| NO. | PARTS      | MATERIAL | QUANTITY        | REMARKS | LOAD RATING STATIC: COr: 7930 N                  |
|-----|------------|----------|-----------------|---------|--|
| 1   | INNER RING | GCr15    | 1               |         | LOAD RATING DYNAMIC: Cr: 16000 N                 |
| 2   | OUTER RING | GCr15    | 1               |         | RADIAL PLAY: C0: 0.005-0.020                     |
| 3   | BALLS      | GCr15    | 7- $\phi$ 9.525 |         | TOLERANCES: ABEC-1                               |
| 4   | RETAINER   | SPCC     | 1               |         | CUSTOMER SIZE:                                   |
| 5   | SHIELD     | SPTe     | 2               |         | SIZE: 6304ZZ                                     |
|     |            |          |                 |         | DRAWING NO. : QAJ/TR23205                        |
|     |            |          |                 |         | <b>NBK</b> NINGBO CHUANG HON YI BEARING CO.,LTD. |

庄宏亿  
2023-11-13  
陈晶晶

庄宏亿  
2023-11-13  
陈丹央

庄宏亿  
2023-11-13  
周宝君

draw

check

approved

DATE:

Nov.13,2023