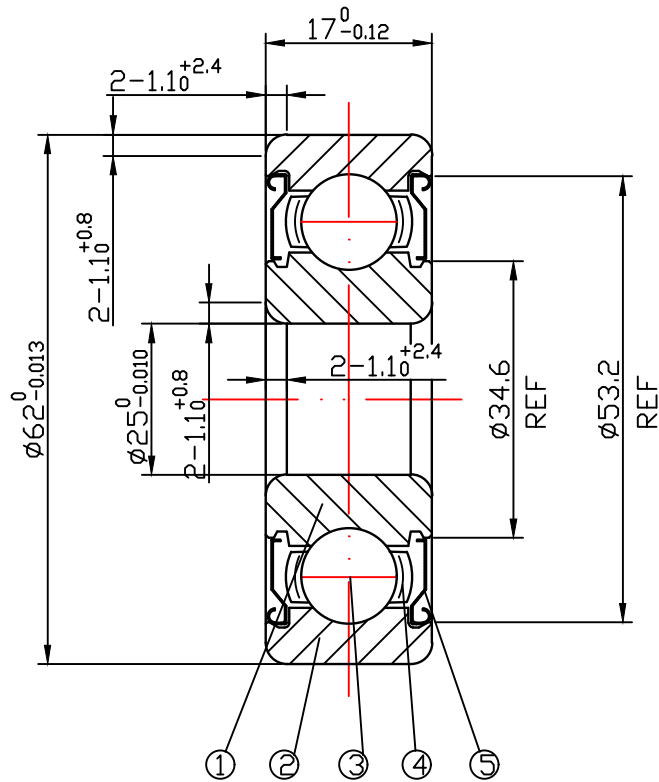


DRAWING

CUSTOMER :

accept stamp



issue stamp

BRAND: NBK

ALL DIMENSIONS: mm

NOTIONS:

| MARKER | PLACES | BEFORE | REVISER | REVISION DATE |
|--------|--------|--------|---------|---------------|
| | | | | |
| | | | | |
| | | | | |

| NO. | PARTS | MATERIAL | QUANTITY | REMARKS | LOAD RATING STATIC: COr: 11570 N |
|-----|------------|----------|----------------|---------|--|
| 1 | INNER RING | GCr15 | 1 | | LOAD RATING DYNAMIC: Cr: 22460 N |
| 2 | OUTER RING | GCr15 | 1 | | RADIAL PLAY: C0: 0.005-0.020 |
| 3 | BALLS | GCr15 | 7- ϕ 11.5 | | TOLERANCES: ABEC-1 |
| 4 | RETAINER | SPCC | 1 | | CUSTOMER SIZE: |
| 5 | SHIELD | SPT | 2 | | SIZE: 6305ZZ |
| | | | | | DRAWING NO. : QAJ/TR23206 |
| | | | | | NBK NINGBO CHUANG HON YI BEARING CO.,LTD. |

庄宏亿
2023-11-13
陈晶晶

庄宏亿
2023-11-13
陈丹央

庄宏亿
2023-11-13
周宝君

draw

check

approved

DATE:

Nov.13,2023