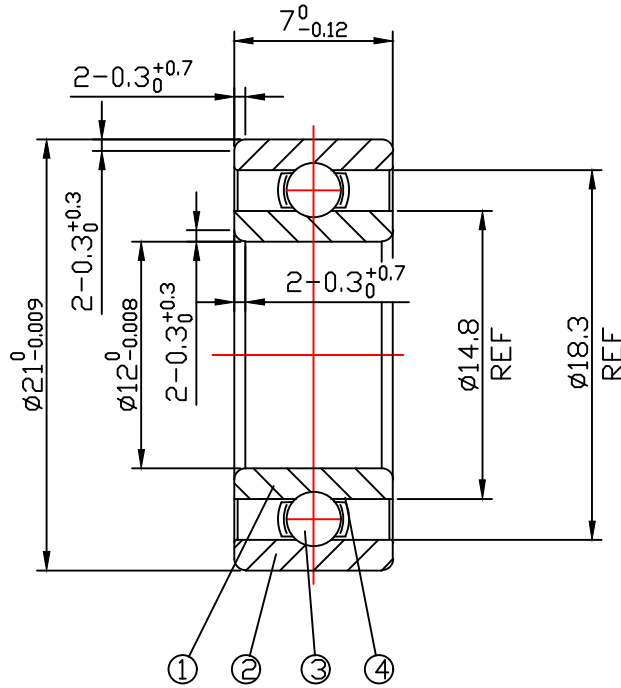


DRAWING

CUSTOMER :

accept stamp



issue stamp

BRAND: NBK

ALL DIMENSIONS: mm

NOTIONS:

MARKER	PLACES	BEFORE	REVISER	REVISION DATE

NO.	PARTS	MATERIAL	QUANTITY	REMARKS
1	INNER RING	GCr15	1	
2	OUTER RING	GCr15	1	
3	BALLS	GCr15	12-ø2.381	
4	RETAINER	SPCC	1	

LOAD RATING STATIC: COr: 1040 N

LOAD RATING DYNAMIC: Cr: 1910 N

RADIAL PLAY: C0: 0.003-0.018

TOLERANCES: ABEC-1

CUSTOMER SIZE:

SIZE: 63801

庄宏亿
2024-7-10
陈晶晶

庄宏亿
2024-7-10
陈丹央

庄宏亿
2024-7-10
周宝君

DRAWING NO. : QAJ/TR24401

draw

check

approved

DATE:

Jul.10,2024

NBK NINGBO CHUANG HON YI BEARING CO.,LTD.