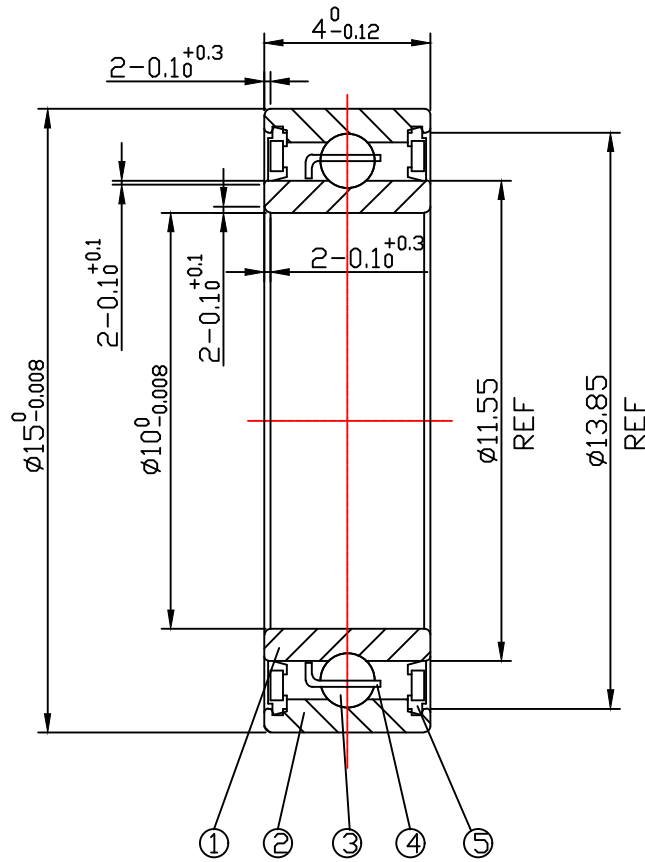


DRAWING

CUSTOMER :

accept stamp



issue stamp

BRAND:

ALL DIMENSIONS: mm

NOTIONS:

MARKER	PLACES	BEFORE	REVISER	REVISION DATE

NO.	PARTS	MATERIAL	QUANTITY	REMARKS
1	INNER RING	GCr15	1	
2	OUTER RING	GCr15	1	
3	BALLS	GCr15	11- $\phi 1.300$	
4	RETAINER	06Cr19Ni10	1	
5	SEAL	NBR	2	

LOAD RATING STATIC: COr: 305 N

LOAD RATING DYNAMIC: Cr: 572 N

RADIAL PLAY:  
C0: 0.002-0.013

TOLERANCES: ABEC-1

CUSTOMER SIZE:

SIZE:  
6700-2RS

DRAWING NO. : QAJ/TR24110

庄宏亿  
2024-5-17  
陈晶晶

庄宏亿  
2024-5-17  
陈丹央

庄宏亿  
2024-5-17  
周宝君

draw

check

approved

DATE:

May.17,2024

**NBK** NINGBO CHUANG HON YI BEARING CO.,LTD.