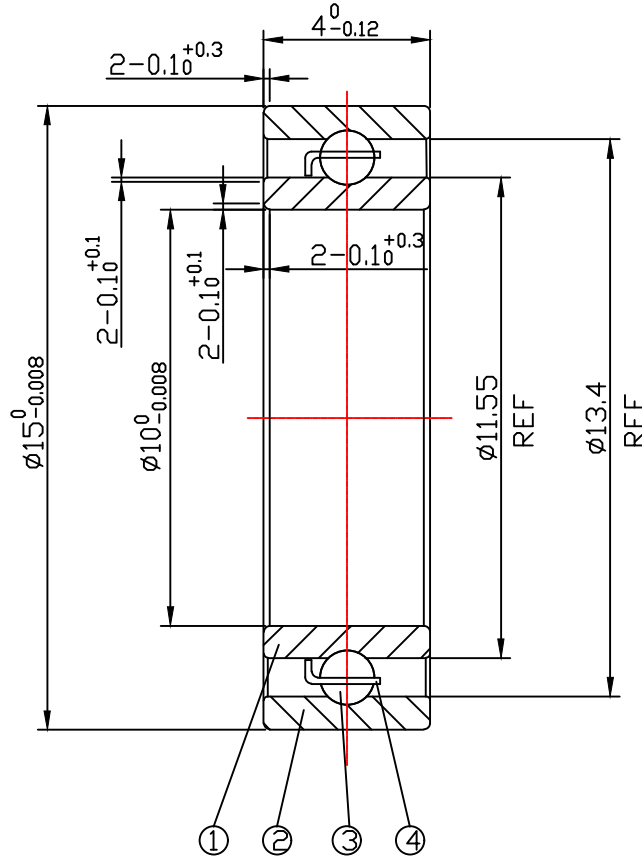


DRAWING

CUSTOMER :

accept stamp



issue stamp

BRAND:

ALL DIMENSIONS: mm

MARKER	PLACES	BEFORE	REVISER	REVISION DATE	

NOTIONS:

NO.	PARTS	MATERIAL	QUANTITY	REMARKS
1	INNER RING	GCr15	1	
2	OUTER RING	GCr15	1	
3	BALLS	GCr15	11-ø1.300	
4	RETAINER	06Cr19Ni10	1	

LOAD RATING STATIC: COr: 305 N

LOAD RATING DYNAMIC: Cr: 572 N

RADIAL PLAY: C0: 0.002-0.013

TOLERANCES: ABEC-1

CUSTOMER SIZE:

SIZE: 6700

庄宏亿  
2024-7-5  
陈晶晶

庄宏亿  
2024-7-5  
陈丹央

庄宏亿  
2024-7-5  
周宝君

DRAWING NO. : QAJ/TR24304

draw

check

approved

DATE:

Jul.5,2024

**NBK** NINGBO CHUANG HON YI BEARING CO.,LTD.