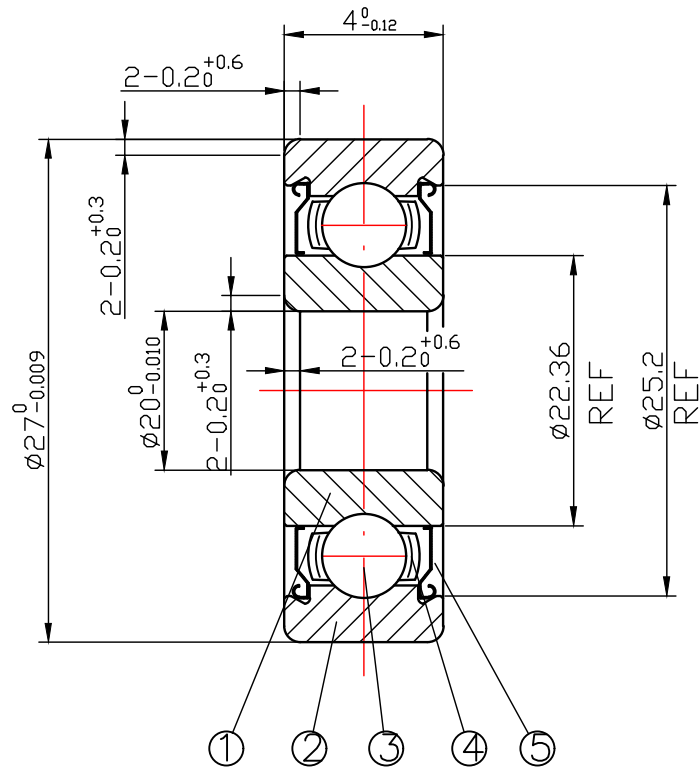


DRAWING

CUSTOMER :

accept stamp



issue stamp

BRAND: NBK

ALL DIMENSIONS: mm

NOTIONS:

| MARKER | PLACES | BEFORE | REVISER | REVISION DATE |
|--------|--------|--------|---------|---------------|
|        |        |        |         |               |
|        |        |        |         |               |
|        |        |        |         |               |

| NO. | PARTS      | MATERIAL | QUANTITY         | REMARKS |
|-----|------------|----------|------------------|---------|
| 1   | INNER RING | GCr15    | 1                |         |
| 2   | OUTER RING | GCr15    | 1                |         |
| 3   | BALLS      | GCr15    | 18- $\phi 1.588$ |         |
| 4   | RETAINER   | SPCC     | 1                |         |
| 5   | SHIELD     | SPTE     | 2                |         |

LOAD RATING STATIC: COr: 722 N

LOAD RATING DYNAMIC: Cr: 1000 N

RADIAL PLAY:

C0: 0.005-0.020

TOLERANCES: ABEC-1

CUSTOMER SIZE:

SIZE:

6704ZZ

DRAWING NO. : QAJ/TR23306

庄宏亿  
2023-11-13  
陈晶晶

庄宏亿  
2023-11-13  
陈丹央

庄宏亿  
2023-11-13  
周宝君

draw

check

approved

DATE:

Nov.13,2023

NBK NINGBO CHUANG HON YI BEARING CO.,LTD.