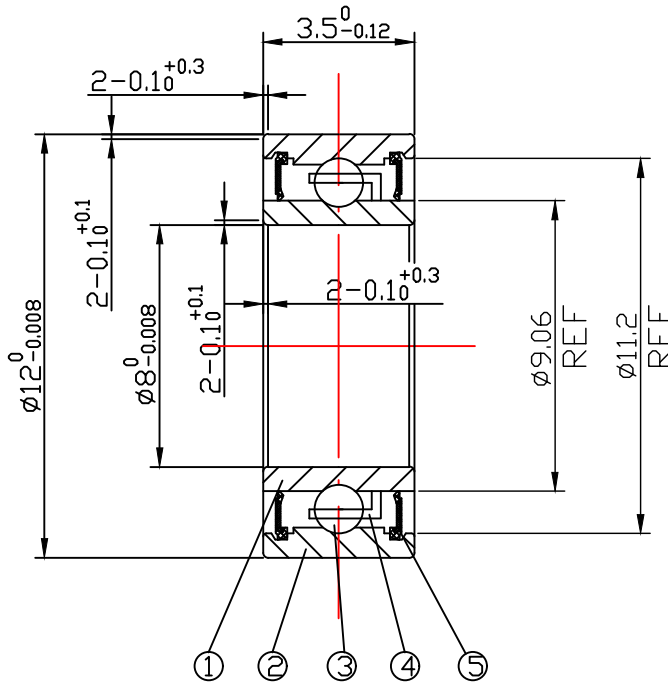


DRAWING

CUSTOMER :

accept stamp



issue stamp

BRAND: NBK

ALL DIMENSIONS: mm

NOTIONS:

MARKER	PLACES	BEFORE	REVISER	REVISION DATE

NO.	PARTS	MATERIAL	QUANTITY	REMARKS
1	INNER RING	GCr15	1	
2	OUTER RING	GCr15	1	
3	BALLS	GCr15	12- $\varnothing 1.200$	
4	RETAINER	O6Cr19Ni10	1	
5	SHIELD	NBR	2	

LOAD RATING STATIC:	COr: 270 N
LOAD RATING DYNAMIC:	Cr: 540 N
RADIAL PLAY:	C0: 0.002-0.013
TOLERANCES:	ABEC-1
CUSTOMER SIZE:	
SIZE:	678-2RS
DRAWING NO. :	QAJ/TR24103

draw	check	approved
------	-------	----------

DATE:	May.15,2024
-------	-------------

NBK NINGBO CHUANG HON YI BEARING CO.,LTD.

庄宏亿
2024-5-15
陈晶晶

庄宏亿
2024-5-15
陈丹央

庄宏亿
2024-5-15
周宝君