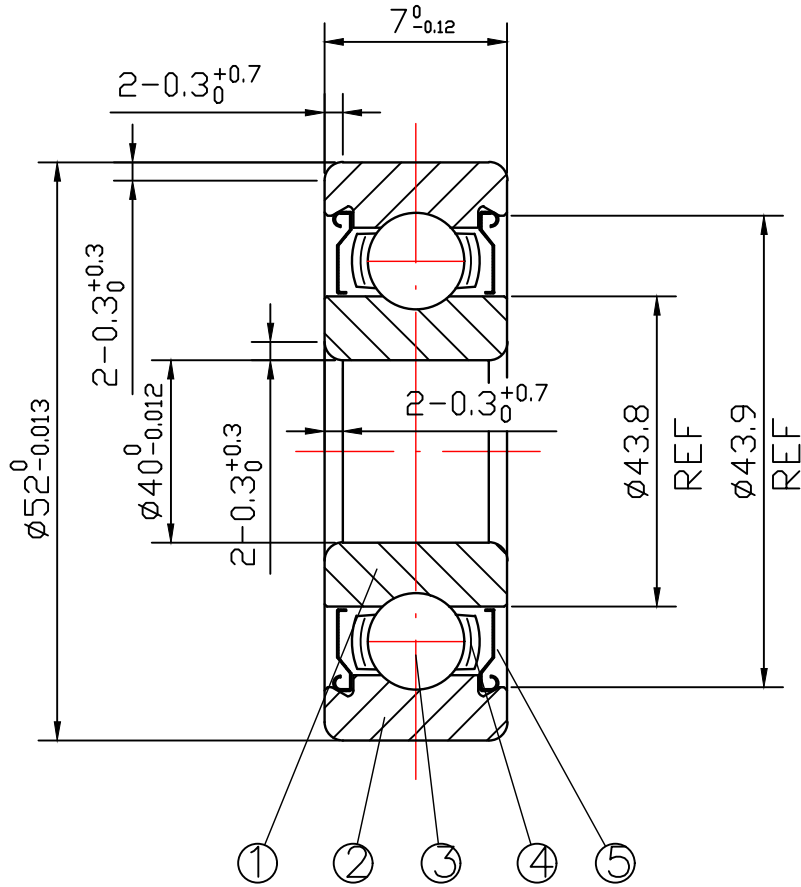


DRAWING

CUSTOMER :

accept stamp



issue stamp

BRAND: NBK

ALL DIMENSIONS: mm

NOTIONS:

MARKER	PLACES	BEFORE	REVISER	REVISION DATE

NO.	PARTS	MATERIAL	QUANTITY	REMARKS	LOAD RATING STATIC:	COr: 3890 N
1	INNER RING	GCr15	1		LOAD RATING DYNAMIC:	Cr: 4420 N
2	OUTER RING	GCr15	1		RADIAL PLAY:	C0: 0.006-0.020
3	BALLS	GCr15	24- $\phi 3.175$		TOLERANCES:	ABEC-1
4	RETAINER	SPCC	1		CUSTOMER SIZE:	
5	SHIELD	SPTE	2		SIZE:	6808ZZ
					DRAWING NO. :	QAJ/TR23277

庄宏亿  
2023-11-13  
陈晶晶

庄宏亿  
2023-11-13  
陈丹央

庄宏亿  
2023-11-13  
周宝君

draw

check

approved

DATE:

Nov.13,2023

NBK NINGBO CHUANG HON YI BEARING CO.,LTD.