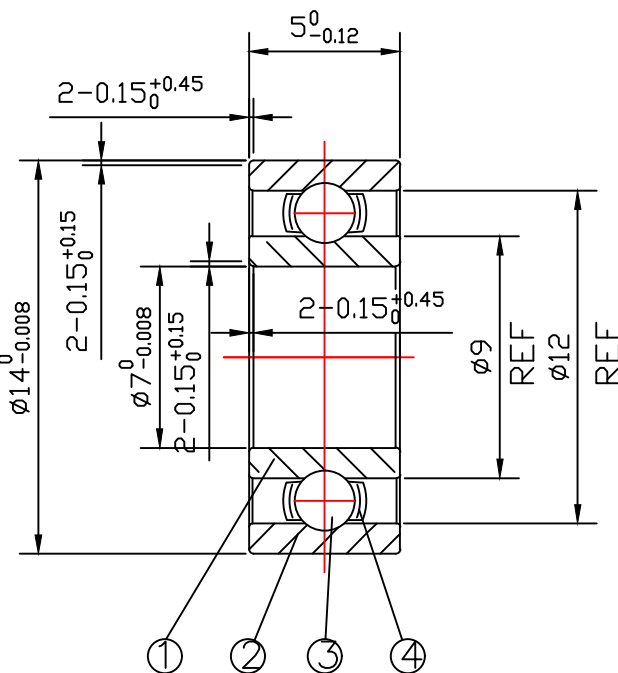


DRAWING

CUSTOMER :

accept stamp



issue stamp

BRAND: NBK

ALL DIMENSIONS: mm

NOTIONS:

MARKER	PLACES	BEFORE	REVISER	REVISION DATE

NO.	PARTS	MATERIAL	QUANTITY	REMARKS	LOAD RATING STATIC: COr: 511 N
1	INNER RING	GCr15	1		LOAD RATING DYNAMIC: Cr: 1170 N
2	OUTER RING	GCr15	1		RADIAL PLAY: C0: 0.002-0.013
3	BALLS	GCr15	9- $\phi 2.000$		TOLERANCES: ABEC-1
4	RETAINER	SPCC	1		CUSTOMER SIZE:
					SIZE: 687
					DRAWING NO. : QAJ/TR24301
draw		check		approved	<b>NBK</b> NINGBO CHUANG HON YI BEARING CO.,LTD.
DATE: Jul.5,2024					