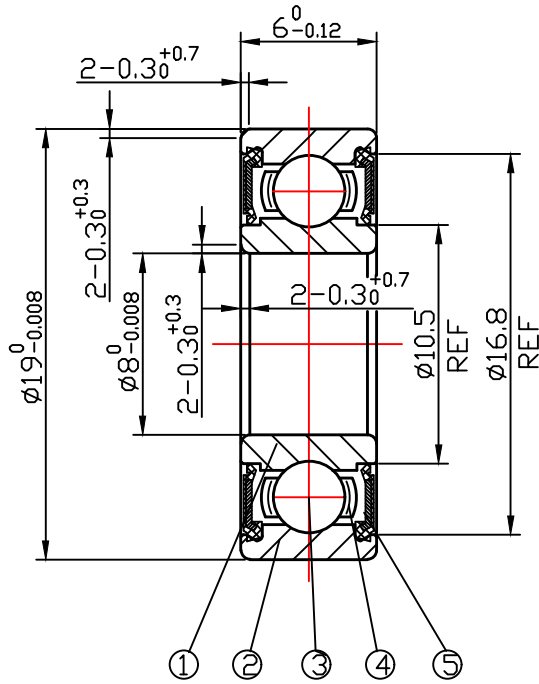


DRAWING

CUSTOMER :

accept stamp



issue stamp

BRAND: NBK

ALL DIMENSIONS: mm

| | | | | |
|--------|--------|--------|---------|---------------|
| | | | | |
| | | | | |
| | | | | |
| | | | | |
| | | | | |
| MARKER | PLACES | BEFORE | REVISER | REVISION DATE |

NOTIONS:

| NO. | PARTS | MATERIAL | QUANTITY | REMARKS |
|-----|------------|----------|----------|---------|
| 1 | INNER RING | GCr15 | 1 | |
| 2 | OUTER RING | GCr15 | 1 | |
| 3 | BALLS | GCr15 | 7-ø3.175 | |
| 4 | RETAINER | SPCC | 1 | |
| 5 | SEAL | NBR | 2 | |

LOAD RATING STATIC: COr: 917 N

LOAD RATING DYNAMIC: Cr: 2240 N

RADIAL PLAY: C0: 0.002-0.013

TOLERANCES: ABEC-1

CUSTOMER SIZE:

SIZE: 698-2RS

庄宏亿
2024-5-17
陈晶晶

庄宏亿
2024-5-17
陈丹央

庄宏亿
2024-5-17
周宝君

DRAWING NO. : QAJ/TR24135

draw

check

approved

DATE:

May.17,2024

NBK NINGBO CHUANG HON YI BEARING CO.,LTD.