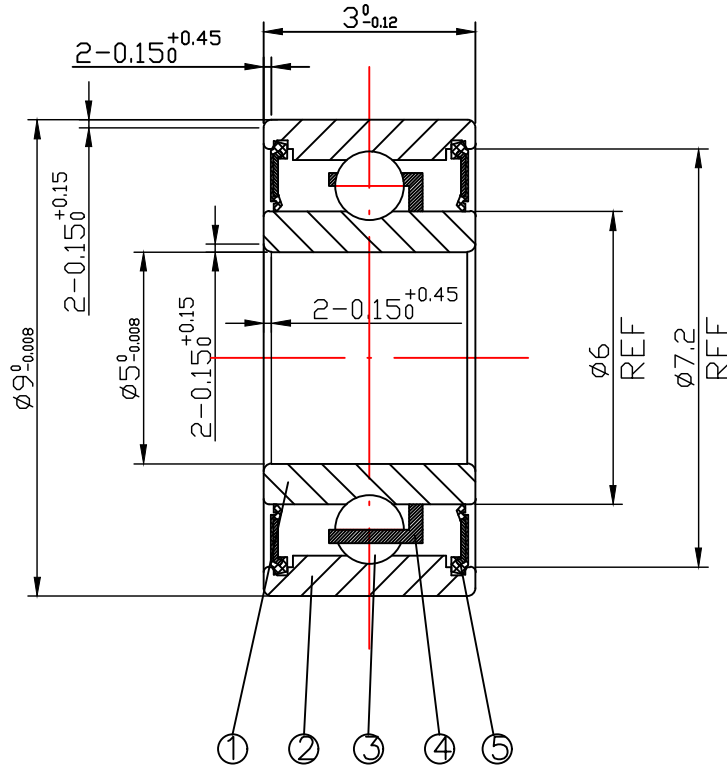


DRAWING

CUSTOMER :

accept stamp



issue stamp

BRAND: NBK

ALL DIMENSIONS: mm

NOTIONS:

MARKER	PLACES	BEFORE	REVISER	REVISION DATE

NO.	PARTS	MATERIAL	QUANTITY	REMARKS
1	INNER RING	GCr15	1	
2	OUTER RING	GCr15	1	
3	BALLS	GCr15	8- $\phi 1.200$	
4	RETAINER	Ocr19Ni10	1	
5	SEAL	NBR	2	

LOAD RATING STATIC: COr: 169 N

LOAD RATING DYNAMIC: Cr: 431 N

RADIAL PLAY: C0: 0.002-0.013

TOLERANCES: ABEC-1

CUSTOMER SIZE:

SIZE: MR95-2RS

DRAWING NO. : QAJ/TR24344

庄宏亿  
2024-7-8  
陈晶晶

庄宏亿  
2024-7-8  
陈丹央

庄宏亿  
2024-7-8  
周宝君

draw

check

approved

DATE:

Jul.8,2024

**NBK** NINGBO CHUANG HON YI BEARING CO.,LTD.