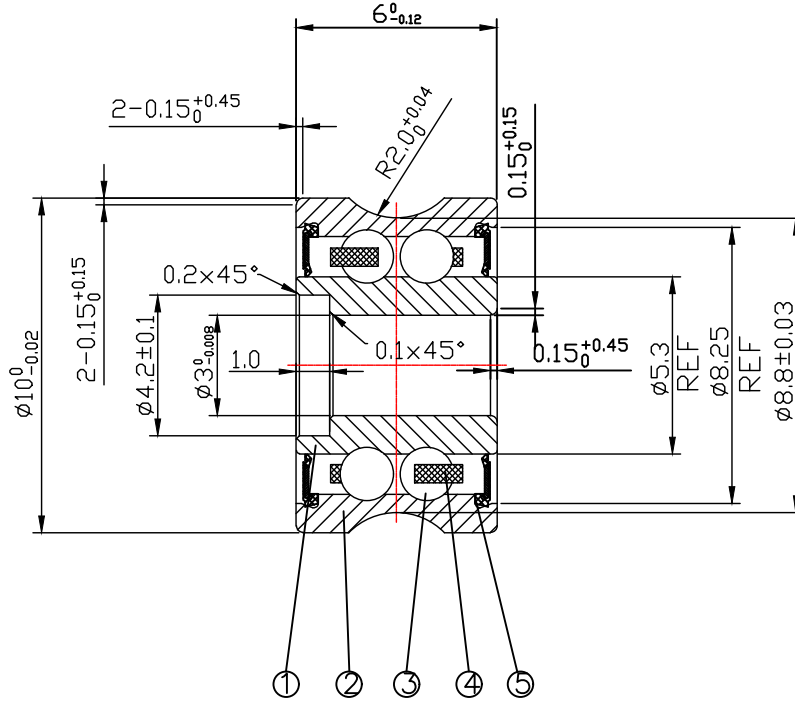


DRAWING

CUSTOMER :

accept stamp



issue stamp

BRAND: NBK

ALL DIMENSIONS: mm

					NOTIONS:
MARKER	PLACES	BEFORE	REVISER	REVISION DATE	

NO.	PARTS	MATERIAL	QUANTITY	REMARKS	LOAD RATING STATIC: COr: 459 N
1	INNER RING	GCr15	1		LOAD RATING DYNAMIC: Cr: 993 N
2	OUTER RING	GCr15	1		RADIAL PLAY: C0: 0.002-0.013
3	BALLS	GCr15	2*7- $\phi 1.588$		TOLERANCES: ABEC-1
4	RETAINER	NYLON	1		CUSTOMER SIZE:
5	SEAL	NBR	2		SIZE: Q523-2RS
					DRAWING NO. : QAJ/TR24396
					<b>NBK</b> NINGBO CHUANG HON YI BEARING CO.,LTD.
					DATE: Jul.10,2024

庄宏亿  
2024-7-10  
陈晶晶

庄宏亿  
2024-7-10  
陈丹央

庄宏亿  
2024-7-10  
周宝君

draw

check

approved