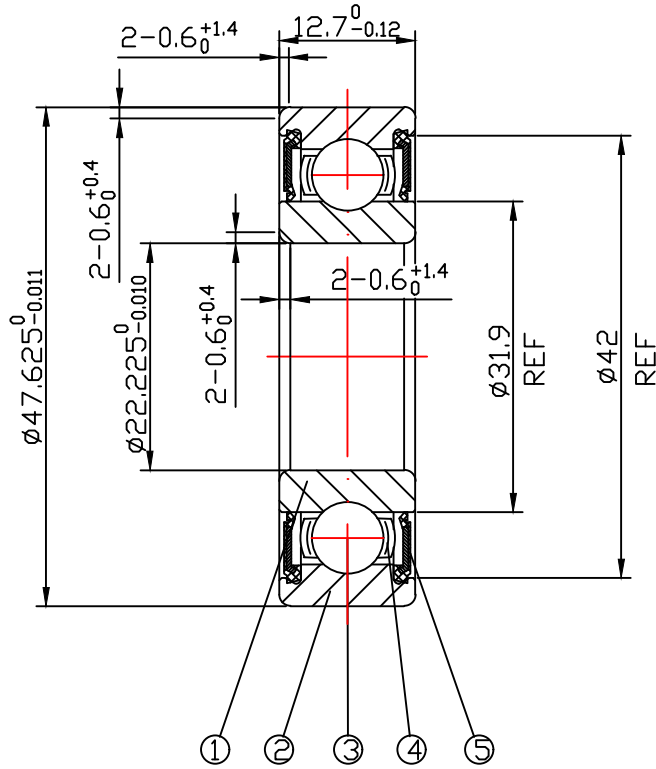


DRAWING

CUSTOMER :

accept stamp



issue stamp

BRAND: NBK

ALL DIMENSIONS: mm

NOTIONS:

MARKER PLACES BEFORE REVISER REVISION DATE

NO.	PARTS	MATERIAL	QUANTITY	REMARKS
1	INNER RING	GCr15	1	
2	OUTER RING	GCr15	1	
3	BALLS	GCr15	10- $\phi 6.35$	
4	RETAINER	SPCC	1	
5	SEAL	NBR	2	

LOAD RATING STATIC: COr: 5800 N

LOAD RATING DYNAMIC: Cr: 10070 N

RADIAL PLAY:

C0: 0.005-0.020

TOLERANCES: ABEC-1

CUSTOMER SIZE:

SIZE:

R14-2RS

庄宏亿
2024-5-18
陈晶晶庄宏亿
2024-5-18
陈丹央庄宏亿
2024-5-18
周宝君

DRAWING NO. : QAJ/TR24171

draw

check

approved

DATE:

May18.5,2024

NBK NINGBO CHUANG HON YI BEARING CO.,LTD.