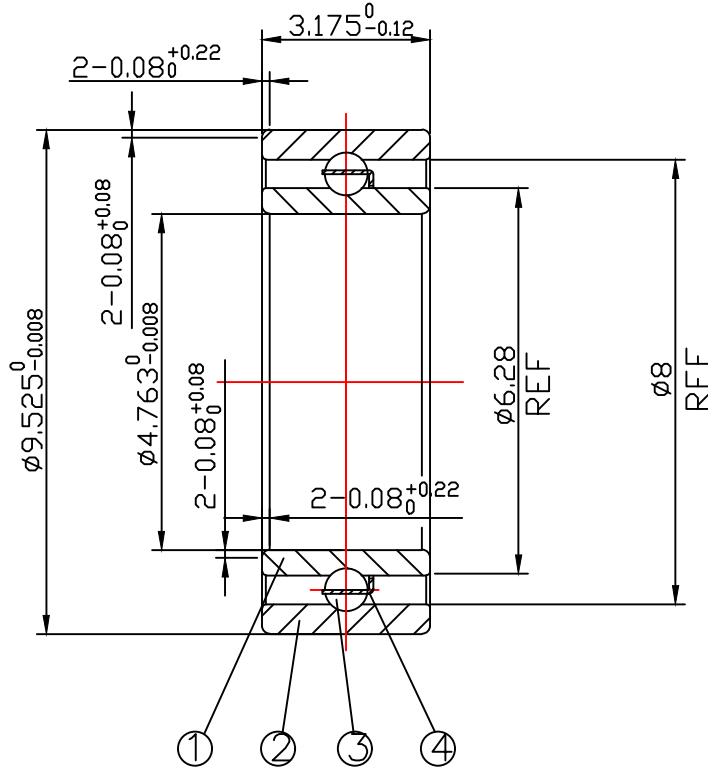


DRAWING

CUSTOMER :

accept stamp



issue stamp

BRAND: NBK

ALL DIMENSIONS: mm

NOTIONS:

| MARKER | PLACES | BEFORE | REVISER | REVISION DATE |
|--------|--------|--------|---------|---------------|
|        |        |        |         |               |
|        |        |        |         |               |
|        |        |        |         |               |

| NO. | PARTS      | MATERIAL  | QUANTITY      | REMARKS |
|-----|------------|-----------|---------------|---------|
| 1   | INNER RING | GCr15     | 1             |         |
| 2   | OUTER RING | GCr15     | 1             |         |
| 3   | BALLS      | GCr15     | 9- $\phi 1.2$ |         |
| 4   | RETAINER   | 0Cr19Ni10 | 1             |         |

LOAD RATING STATIC: COr: 191 N

LOAD RATING DYNAMIC: Cr: 467 N

RADIAL PLAY: C0: 0.002-0.013

TOLERANCES: ABEC-1

CUSTOMER SIZE:

SIZE: R166

DRAWING NO. : QAJ/TR24366

庄宏亿  
2024-7-9  
陈晶晶

庄宏亿  
2024-7-9  
陈丹央

庄宏亿  
2024-7-9  
周宝君

draw

check

approved

DATE:

Jul.9,2024

**NBK** NINGBO CHUANG HON YI BEARING CO.,LTD.