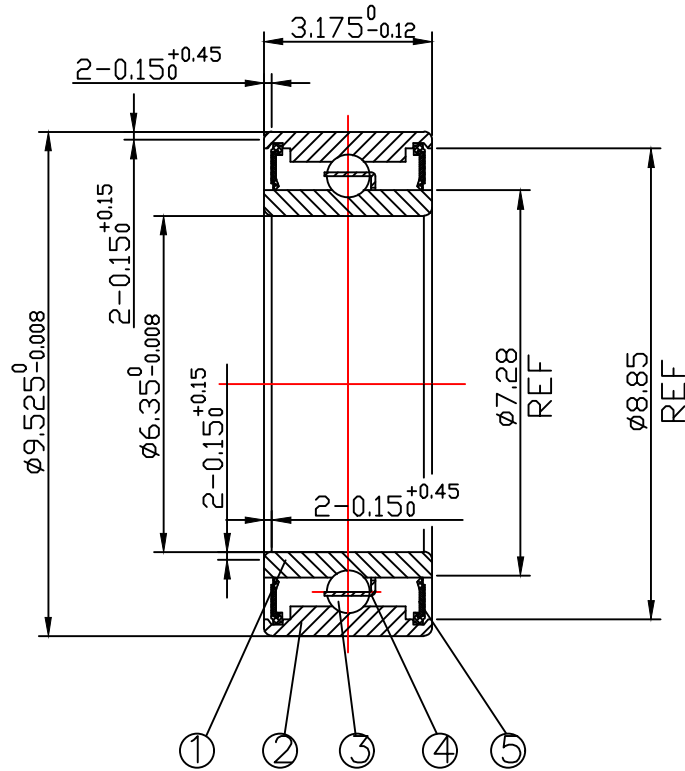


DRAWING

CUSTOMER :

accept stamp



issue stamp

BRAND: NBK

ALL DIMENSIONS: mm

MARKER	PLACES	BEFORE	REVISER	REVISION DATE

NOTIONS:

NO.	PARTS	MATERIAL	QUANTITY	REMARKS
1	INNER RING	GCr15	1	
2	OUTER RING	GCr15	1	
3	BALLS	GCr15	9- ϕ 0.800	
4	RETAINER	0Cr19Ni10	1	
5	SEAL	NBR	2	

LOAD RATING STATIC: COr: 94 N

LOAD RATING DYNAMIC: Cr: 508 N

RADIAL PLAY:
C0: 0.002-0.013

TOLERANCES: ABEC-1

CUSTOMER SIZE:

SIZE:
R168-2RS

DRAWING NO. : QAJ/TR24161

庄宏亿
2024-5-18
陈晶晶庄宏亿
2024-5-18
陈丹央庄宏亿
2024-5-18
周宝君

draw

check

approved

DATE: May.18,2024

NBK NINGBO CHUANG HON YI BEARING CO.,LTD.