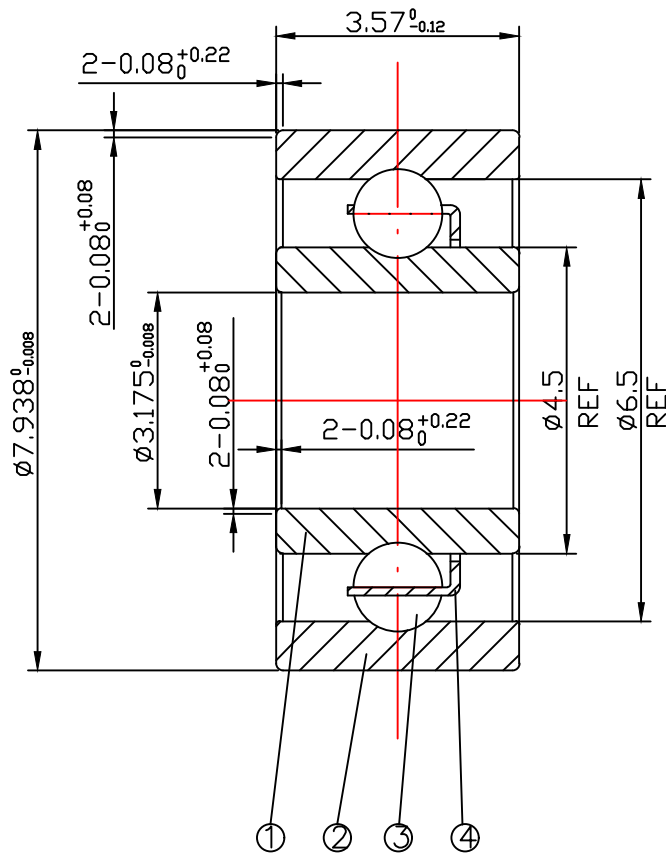


DRAWING

CUSTOMER :

accept stamp






issue stamp

BRAND: NBK

ALL DIMENSIONS: mm

NOTIONS:

MARKER	PLACES	BEFORE	REVISER	REVISION DATE

NO.	PARTS	MATERIAL	QUANTITY	REMARKS	LOAD RATING STATIC: COr: 156 N
1	INNER RING	GCr15	1		LOAD RATING DYNAMIC: Cr: 452 N
2	OUTER RING	GCr15	1		RADIAL PLAY: C0: 0.002-0.013
3	BALLS	GCr15	7- $\varnothing 1.3$		TOLERANCES: ABEC-1
4	RETAINER	0Cr19Ni10	1		CUSTOMER SIZE:
					SIZE: R2-5
<div style="display: flex; justify-content: space-around; align-items: center;"> <div style="text-align: center;">  <p>draw</p> </div> <div style="text-align: center;">  <p>check</p> </div> <div style="text-align: center;">  <p>approved</p> </div> </div>					DRAWING NO. : QAJ/TR24354
DATE: Jul.9,2024					NBK NINGBO CHUANG HON YI BEARING CO.,LTD.